

Measuring Instruments for RAIL WAY

Back Gage

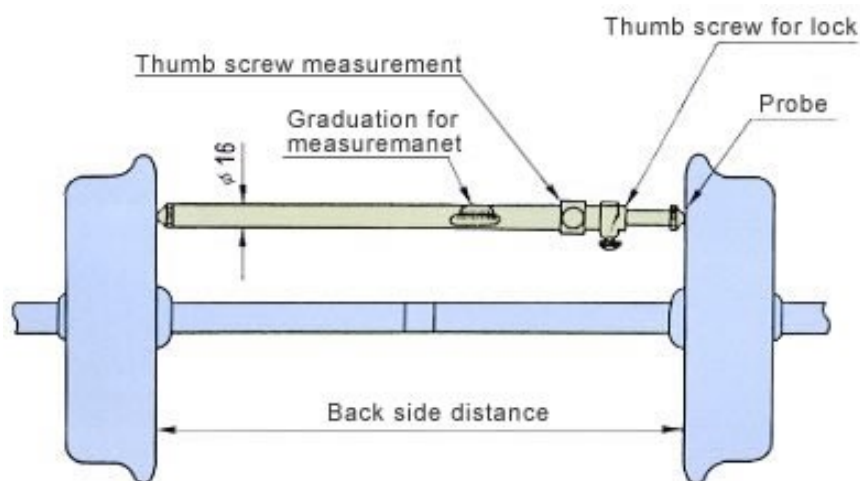
Railway Back Gage

41022, 41023

Back Gage provides easy measuring of back side distance.

Features

- Easy measuring of back side distance.



Specification

Model	41022	41023
Range of measurement (mm)	982 ~ 1002	1350 ~ 1370
Accuracy of measurement (mm)	± 0.1	± 0.1
Capacity (g)	750	950



SHINYEI TESTING MACHINERY CO., LTD.

Head Office B47-11, Katoridai, Tsukuba, Ibaraki, 300-2657, JAPAN

Tel: +81-29-848-3571 FAX: +81-29-848-3572

International Sales Office

Shinyei BLDG. 5F, 77-1 Kyomachi, Chuo-ku, Kobe 651-0178, JAPAN

Tel: +81-78-392-6903 FAX: +81-78-332-1619